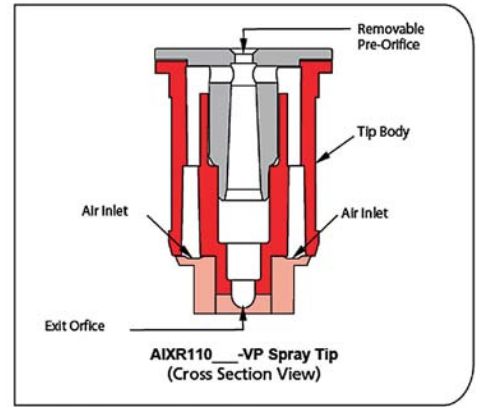


Teejet AI XR Spray Tips



- A perfect balance of drift control and coverage – precisely-sized, large, air-filled drops stay on target and cover the entire plant.
- Wide operating pressure range: 15 - 90 PSI (1 - 6 bar) – fewer driftable droplets at higher pressures than most other tips
- Polymer material provides significantly longer wear life and better acid-resistance.
- Compact design avoids damage.
- Easily removed pre-orifice for quick maintenance.
- Automatic spray alignment with 25612-*NYR Quick Teejet cap & gasket



Air Induction XR Flat Spray Tips - \$6.17 Each

Teejet StreamJet 7 Stream Fertilizer Nozzles



- Creates 7 identical fluid streams of equal velocity and capacity
- Removable metering orifice for easy cleaning
- VisiFlo color-coding
- Recommended operating pressure: 20-60 PSI (1.5 - 4 bar)
- All acetal construction for excellent chemical resistance

StreamJet 7 Stream Fertilizer Nozzles - \$8.62 Each

Nozzle Model	PSI	CAPACITY ONE NOZZLE IN GPM	GPA \triangle 20' \triangle											
			3 MPH	4 MPH	5 MPH	6 MPH	8 MPH	10 MPH	12 MPH	14 MPH	16 MPH	18 MPH	20 MPH	
SJ7-015-VP (100)	20	0.10	9.9	7.4	5.9	5.0	3.7	3.0	2.5	2.1	1.9	1.7	1.5	
	30	0.12	11.9	8.9	7.1	5.9	4.5	3.6	3.0	2.5	2.2	2.0	1.8	
	40	0.15	14.9	11.1	8.9	7.4	5.6	4.5	3.7	3.2	2.8	2.5	2.2	
	50	0.16	15.8	11.9	9.5	7.9	5.9	4.8	4.0	3.4	3.0	2.6	2.4	
	60	0.18	17.8	13.4	10.7	8.9	6.7	5.3	4.5	3.8	3.3	3.0	2.7	
SJ7-02-VP (50)	20	0.14	13.9	10.4	8.3	6.9	5.2	4.2	3.5	3.0	2.6	2.3	2.1	
	30	0.17	16.8	12.6	10.1	8.4	6.3	5.0	4.2	3.6	3.2	2.8	2.5	
	40	0.20	19.8	14.9	11.9	9.9	7.4	5.9	5.0	4.2	3.7	3.3	3.0	
	50	0.23	23	17.1	13.7	11.4	8.5	6.8	5.7	4.9	4.3	3.8	3.4	
	60	0.25	25	18.6	14.9	12.4	9.3	7.4	6.2	5.3	4.6	4.1	3.7	
SJ7-03-VP (50)	20	0.22	22	16.3	13.1	10.9	8.2	6.5	5.4	4.7	4.1	3.6	3.3	
	30	0.27	27	20	16.0	13.4	10.0	8.0	6.7	5.7	5.0	4.5	4.0	
	40	0.30	30	22	17.8	14.9	11.1	8.9	7.4	6.4	5.6	5.0	4.5	
	50	0.33	33	25	19.6	16.3	12.3	9.8	8.2	7.0	6.1	5.4	4.9	
	60	0.35	35	26	21	17.3	13.0	10.4	8.7	7.4	6.5	5.8	5.2	
SJ7-04-VP (50)	20	0.30	30	22	17.8	14.9	11.1	8.9	7.4	6.4	5.6	5.0	4.5	
	30	0.35	35	26	21	17.3	13.0	10.4	8.7	7.4	6.5	5.8	5.2	
	40	0.40	40	30	24	19.8	14.9	11.9	9.9	8.5	7.4	6.6	5.9	
	50	0.43	43	32	26	21	16.0	12.8	10.6	9.1	8.0	7.1	6.4	
	60	0.46	46	34	27	23	17.1	13.7	11.4	9.8	8.5	7.6	6.8	
SJ7-05-VP (50)	20	0.38	38	28	23	18.8	14.1	11.3	9.4	8.1	7.1	6.3	5.6	
	30	0.45	45	33	27	22	16.7	13.4	11.1	9.5	8.4	7.4	6.7	
	40	0.50	50	37	30	25	18.6	14.9	12.4	10.6	9.3	8.3	7.4	
	50	0.54	53	40	32	27	20	16.0	13.4	11.5	10.0	8.9	8.0	
	60	0.58	57	43	34	29	22	17.2	14.4	12.3	10.8	9.6	8.6	
SJ7-06-VP (50)	20	0.45	45	33	27	22	16.7	13.4	11.1	9.5	8.4	7.4	6.7	
	30	0.54	53	40	32	27	20	16.0	13.4	11.5	10.0	8.9	8.0	
	40	0.60	59	45	36	30	22	17.8	14.9	12.7	11.1	9.9	8.9	
	50	0.65	64	48	39	32	24	19.3	16.1	13.8	12.1	10.7	9.7	
	60	0.70	69	52	42	35	26	21	17.3	14.9	13.0	11.6	10.4	
SJ7-08-VP	20	0.57	56	42	34	28	21	16.9	14.1	12.1	10.6	9.4	8.5	
	30	0.72	71	53	43	36	27	21	17.8	15.3	13.4	11.9	10.7	
	40	0.80	79	59	48	40	30	24	19.8	17.0	14.9	13.2	11.9	
	50	0.87	86	65	52	43	32	26	22	18.5	16.1	14.4	12.9	
	60	0.93	92	69	55	46	35	28	23	19.7	17.3	15.3	13.8	
SJ7-10-VP	20	0.71	70	53	42	35	26	21	17.6	15.1	13.2	11.7	10.5	
	30	0.90	89	67	53	45	33	27	22	19.1	16.7	14.9	13.4	
	40	1.00	99	74	59	50	37	30	25	21	18.6	16.5	14.9	
	50	1.09	108	81	65	54	40	32	27	23	20	18.0	16.2	
	60	1.16	115	86	69	57	43	34	29	25	22	19.1	17.2	
SJ7-15-VP	20	1.03	102	76	61	51	38	31	25	22	19.1	17.0	15.3	
	30	1.29	128	96	77	64	48	38	32	27	24	21	19.2	
	40	1.50	149	111	89	74	56	45	37	32	28	25	22	
	50	1.64	162	122	97	81	61	49	41	35	30	27	24	
	60	1.76	174	131	105	87	65	52	44	37	33	29	26	

Note: Always double check your application rates. Tabulations are based on spraying water at 70°F (21°C).